

8. Spare Parts

8.1. Ordering Spare Parts

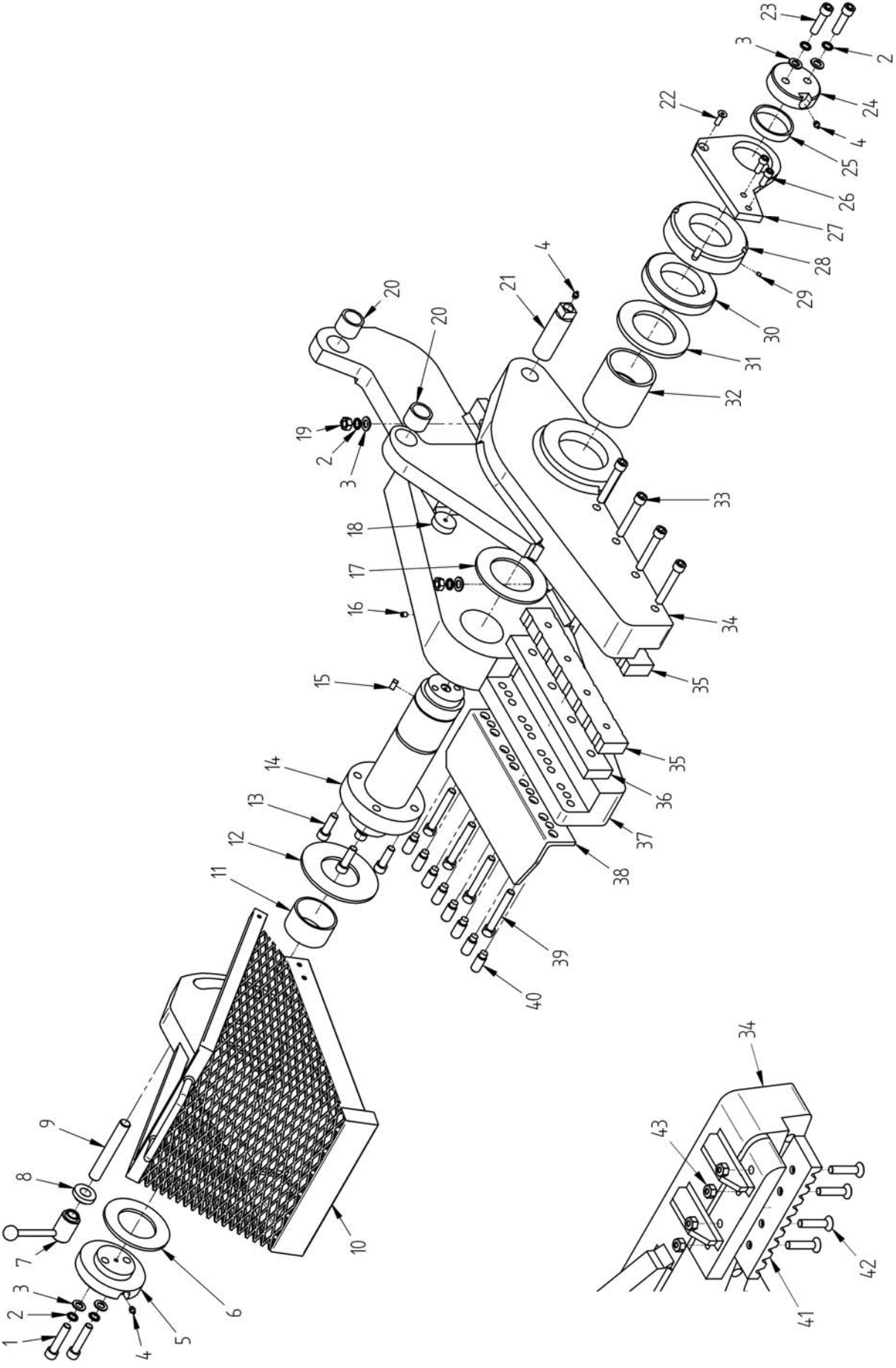
When ordering spares you will need the following:

- Type of equipment
- Model number
- Machine serial number
- Voltage rating
- Colour

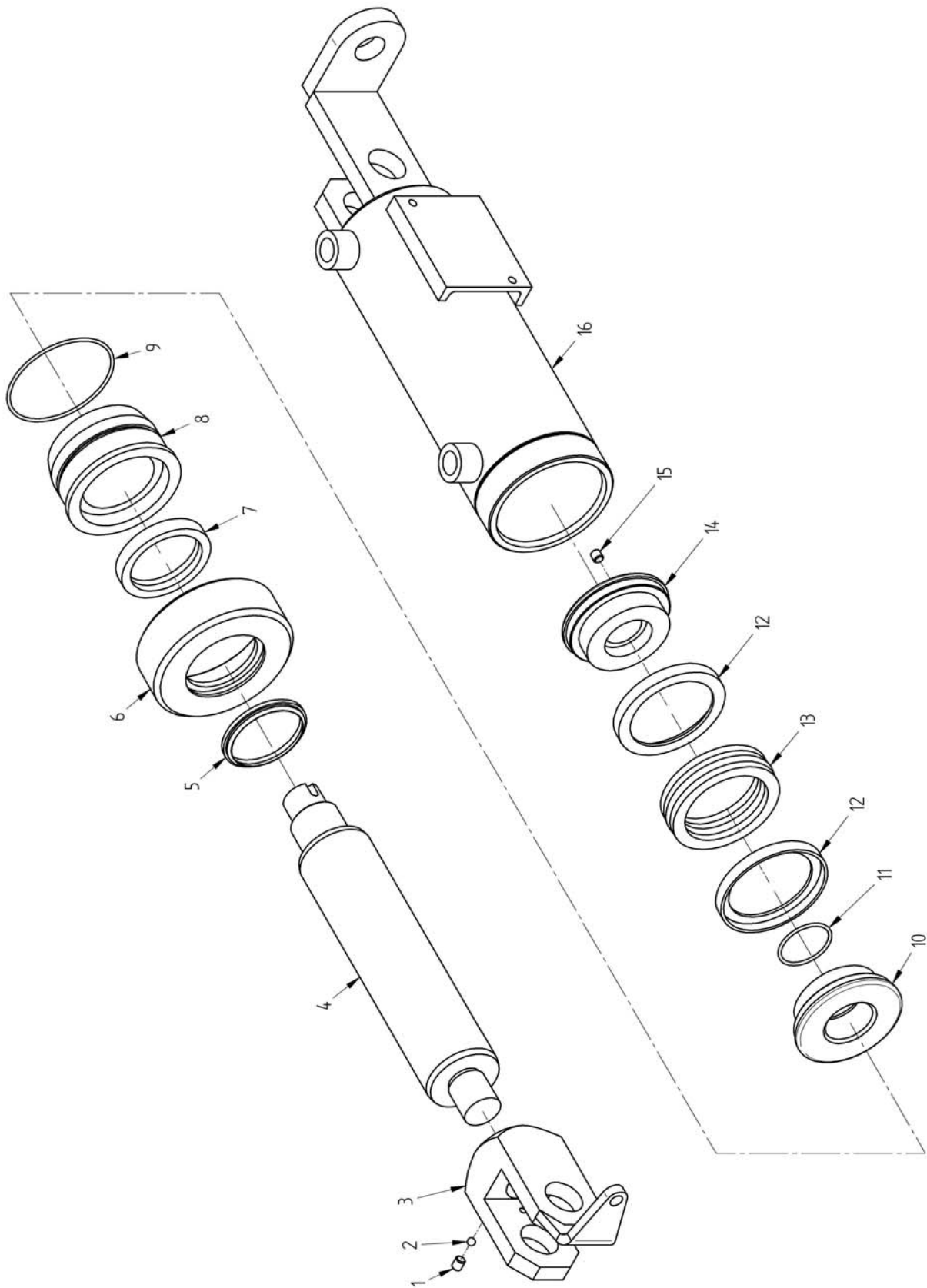
This information will be found on the serial number plate attached to the machine. Please also quote the page and part number required.



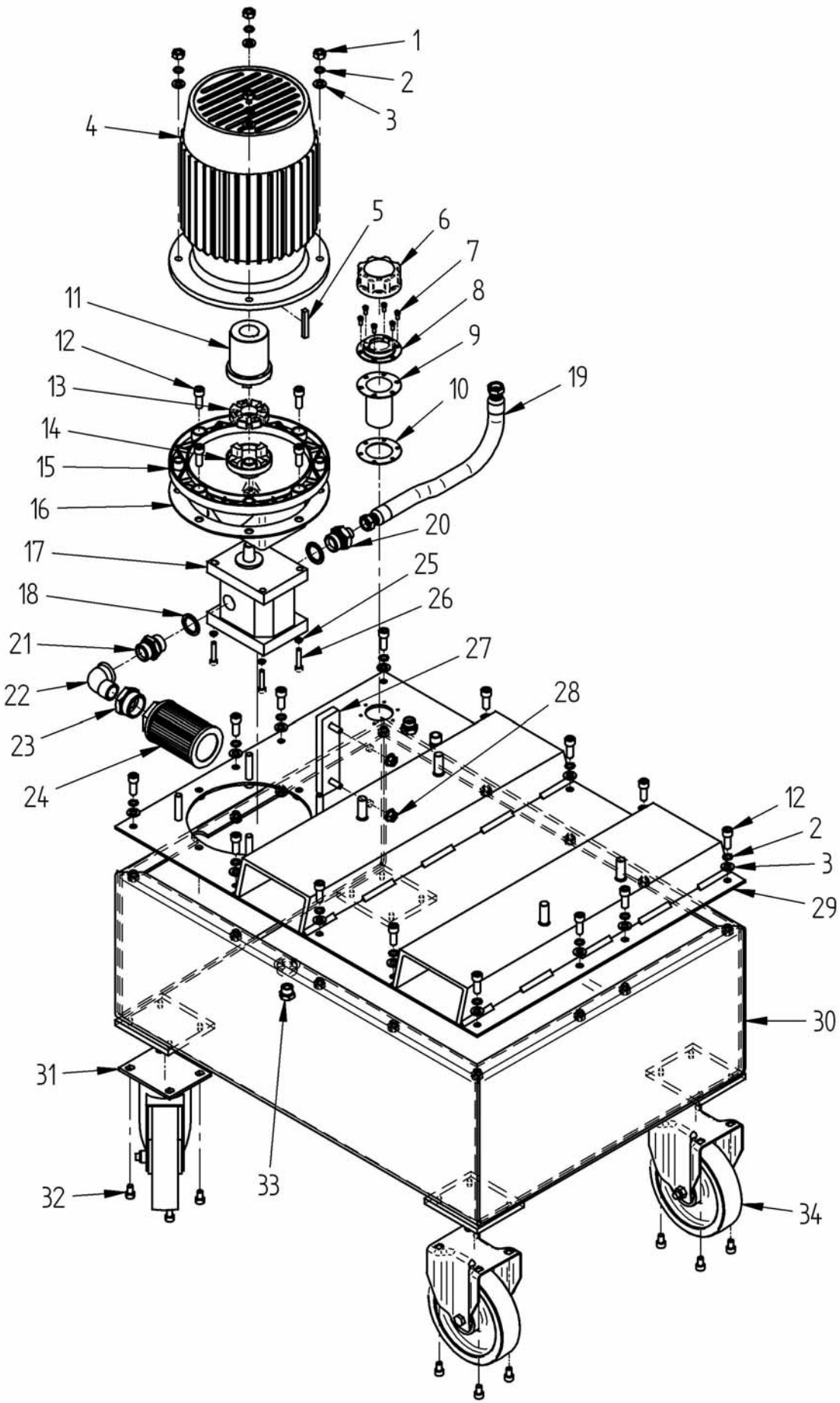
8.2. Shear Body & Guard



8.3. Hydraulic Ram



8.4. Hydraulic Power Pack



8.5. Stroke Adjuster & Foot Pedal Mechanism

